

Carcase/ Front/ Applications	Interior colour	Colour code
Matt white/ Graphite app., basalt faux leather	Structure grey	Z2418
Matt fango/ Sanremo oak dark colour app., fango faux leather	Structure grey	Z2419



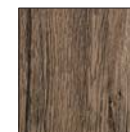
Matt white



Graphite



Matt fango



Sanremo oak dark colour



BASIC

Matching extras
can be found in the
separate BASIC
accessory list.

Details of our made-to-measure service can be found on the last page.

Signed and sealed quality

STEFFEN

Quality in detail

Wardrobe
 Carcase and passepartout ... Easy-care colour surface inside and out
 Front Colour finish/ mirror
 Lighting LED lighting (with transformer and foot switch)

Bed
 Headboard Colour surface/ faux leather upholstered panel
 Bed frame Colour surface
 Mattress height 4-way adjustable
 Lighting LED lighting

Bedside cupboards and matching pieces
 Carcase Easy-care colour surface inside and out
 Front Colour surface
 Drawers on silent ball-bearing runners, open partially, with cushioned self-closing mechanism

Made-to-measure range:
 We can provide made-to-measure solutions on request.
 Customised and individual solutions are possible for virtually any room situation.

Material information



Colour
 Furniture with colour finish has an evenly attractive, hard-wearing surface. The surfaces are coated with very high-quality, easy-care furniture decor foil.



Load-bearing ability
 The load limits for all furniture and extras can be found in the "Load table" at www.rauchmoebel.de/unternehmen/qualitaet-amp-umwelt.html



WOODMAX chipboard
 This fresh wood chipboard was designed specifically for use in living areas. Our Woodmax chipboard is made only from pollutant-free small-diameter logs and windfall timber from sustainably managed forestry operations in regional woods.

Our natural raw material
 Rauch has already earned various awards for the material used in its boards. Strict tests from impartial institutes consistently confirm that our materials and processes are not harmful to health.

Wardrobe carcase features

Optimum wardrobe dimensions
 Take advantage of the maximum possible storage space, achieved thanks to:
 Wardrobe widths200 - 300 cm
 Height223 cm
 Usable depth57 cm

Functional and timeless interior design
 Enhanced style and elegance in both presentation and inner values:
 Interior colours match the carcase colour
 Elegant plinth height 32 mm visible
 Sturdy shelves 22 mm thick, with double bevels and bolted angle brackets

Inconspicuous pattern of
 drill holes 3 mm diameter
 Metal runners with optional cushioning on the doors

Dust protection
 Dust brushes on the doors prevent dust penetration.

Additional extras for the interior can be found in the BASIC accessory list.

Award-winning and certified



The "Golden M"
 The "Golden M" is a sign that furniture has been tested for quality, safety and healthy living. So you can rest assured that you are buying quality furniture with good reliable properties.



Made in Germany
 High-quality materials, state-of-the-art technology and perfect workmanship – for more than 110 years the name Rauch has been synonymous with reliable and durable quality furniture, made in Germany.



5-year warranty
 The workmanship of our furniture is outstanding, right down to the last detail. All materials – from the wood to the hardware – are subjected to critical tests. Every single step in the processing chain is monitored and controlled.



Quality alliance
 An alliance for good product quality, simplified logistics and high assembly standards.



Sustainability
 Rauch was awarded the title of "Germany's most sustainable medium-sized company 2014" because we are consistent in pursuing our objective of offering ecologically and socially sustainable furniture at affordable prices.



The "Blue Angel"
 Furniture from our STEFFEN range has been awarded the "Blue Angel" environmental seal of quality in recognition of the environmentally friendly manufacturing process, the economical use of natural resources, and the use of wood from sustainable forestry operations.



Top-quality interiors



- 1 Exceptionally hard-wearing metal clothes rails
The brackets are firmly bolted to the side panel and shelf.
- 2 Drawers on ball bearing-mounted runners
Even when filled with heavy objects, the drawers run smoothly with low friction resistance. All drawers are fitted with base rails and a cushioned self-closing mechanism.
- 3 Metal guide rails with optional cushioning
Sturdy, durable, for enhanced ease of use.
- 4 Connecting hardware
For positive and friction-locked joints between the rear and side panels.
- 5 Angled brackets
Hold the shelves firmly and securely in place.

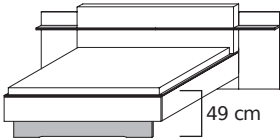
All hardware is manufactured from metal to a high quality, to ensure particularly easy assembly and movement!

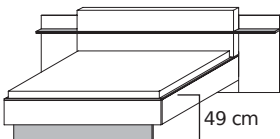
100% metal hardware for safety and stability

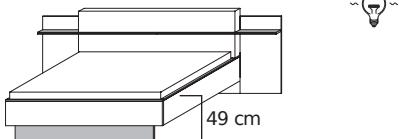


Carcase/ Front/ Applications	Colour code	PG	Interior colour	Extras
Matt white/ Graphite app., basalt faux leather	Z2418	1	Structure grey	Z3011
Matt fango/ Sanremo oak dark colour app., fango faux leather	Z2419	1	Structure grey	Z3011



BEDS		Comfort beds with applications and adjustable fittings for mattress height. Padded faux leather headboard. Side height: 49 cm.											
without lighting													
W 160 cm													
W 180 cm													
		Comfort bed	Comfort bed, extended bed length		Comfort bed		Comfort bed, extended bed length						
		160x190 ↔ 264 cm ↓ 101 cm ↗ 211 cm BG 31	160x210 ↔ 264 cm ↓ 101 cm ↗ 231 cm BG 33		180x190 ↔ 284 cm ↓ 101 cm ↗ 211 cm BG 36		180x210 ↔ 284 cm ↓ 101 cm ↗ 231 cm BG 38						
		160x200 ↔ 264 cm ↓ 101 cm ↗ 221 cm BG 32	160x220 ↔ 264 cm ↓ 101 cm ↗ 241 cm BG 34		180x200 ↔ 284 cm ↓ 101 cm ↗ 221 cm BG 37		180x220 ↔ 284 cm ↓ 101 cm ↗ 241 cm BG 39						
Article	PG Price	5806	1		5806	1		5806	1		5806	1	

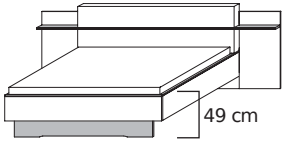

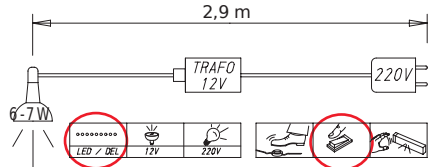
BEDS		Comfort beds with applications and adjustable fittings for mattress height. Padded faux leather headboard. Side height: 49 cm.											
without lighting													
W 200 cm													
		Comfort bed	Comfort bed, extended bed length										
		200x190 ↔ 304 cm ↓ 101 cm ↗ 211 cm BG 41	200x210 ↔ 304 cm ↓ 101 cm ↗ 231 cm BG 43										
		200x200 ↔ 304 cm ↓ 101 cm ↗ 221 cm BG 42	200x220 ↔ 304 cm ↓ 101 cm ↗ 241 cm BG 44										
Article	PG Price	5806	1		5806	1							

BEDS		Comfort beds with applications and headboard lighting. With adjustable fittings for mattress height. Padded faux leather headboard. Side height: 49 cm.											
with lighting													
W 160 cm													
W 180 cm													
		Comfort bed with lighting	Comfort bed with lighting, extended bed length		Comfort bed with lighting		Comfort bed with lighting, extended bed length						
		160x190 ↔ 264 cm ↓ 101 cm ↗ 211 cm BG 31	160x210 ↔ 264 cm ↓ 101 cm ↗ 231 cm BG 33		180x190 ↔ 284 cm ↓ 101 cm ↗ 211 cm BG 36		180x210 ↔ 284 cm ↓ 101 cm ↗ 231 cm BG 38						
		160x200 ↔ 264 cm ↓ 101 cm ↗ 221 cm BG 32	160x220 ↔ 264 cm ↓ 101 cm ↗ 241 cm BG 34		180x200 ↔ 284 cm ↓ 101 cm ↗ 221 cm BG 37		180x220 ↔ 284 cm ↓ 101 cm ↗ 241 cm BG 39						
Article	PG Price	5807	1		5807	1		5807	1		5807	1	


Carcase/ Front/ Applications	Colour code	PG	Interior colour	Extras
Matt white/ Graphite app., basalt faux leather	Z2418	1	Structure grey	Z3011
Matt fango/ Sanremo oak dark colour app., fango faux leathero	Z2419	1	Structure grey	Z3011



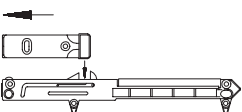
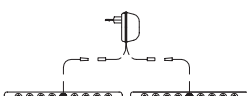
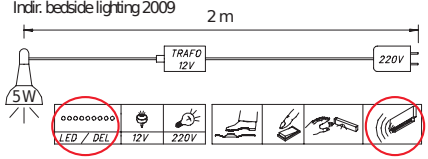
BEDS Comfort beds with applications and headboard lighting. With adjustable fittings for mattress height. Padded faux leather headboard. Side height: 49 cm.

with lighting W 200 cm	  		<p>This luminaire contains built-in LED lamps of the energy classes A++ - A*. The lamps in the luminaire cannot be replaced.</p> <p>*) On a scale from A++ (highest efficiency) to E (lowest efficiency)</p>	
	Comfort bed with lighting	Comfort bed with lighting, extended bed length		
	200x190 ↔ 304 cm ↓ 101 cm ↗ 211 cm BG 41	200x210 ↔ 304 cm ↓ 101 cm ↗ 231 cm BG 43		
200x200 ↔ 304 cm ↓ 101 cm ↗ 221 cm BG 42	200x220 ↔ 304 cm ↓ 101 cm ↗ 241 cm BG 44			
Article PG Price	5807 1	5807 1		

BEDS Set of 2 on castors, incl. plinth panels; dimensions = individual dimensions of drawers



W 180 cm W 200 cm Bed drawers not possible on bed width 160 cm.				
	Set of bed drawers	Set of bed drawers	Set of bed drawers	Set of bed drawers
	180/ 190 ↔ 125 cm ↓ 20 cm ↗ 73 cm BG 36	180/ 210 ↔ 125 cm ↓ 20 cm ↗ 73 cm BG 38	200/ 190 ↔ 125 cm ↓ 20 cm ↗ 73 cm BG 41	200/ 210 ↔ 125 cm ↓ 20 cm ↗ 73 cm BG 43
180/ 200 ↔ 125 cm ↓ 20 cm ↗ 73 cm BG 37	180/ 220 ↔ 125 cm ↓ 20 cm ↗ 73 cm BG 39	200/ 200 ↔ 125 cm ↓ 20 cm ↗ 73 cm BG 42	200/ 220 ↔ 125 cm ↓ 20 cm ↗ 73 cm BG 44	
Article PG Price	0370 1	0370 1	0370 1	0370 1




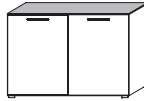
Extras for beds


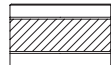
Please order using colour code Z3011. 	Please order using colour code Z3011. Not in connection with plinth drawers! 	<p>Indir. bedside lighting 2009</p>  <p>This luminaire contains built-in LED lamps of the energy classes A++ - A*. The lamps in the luminaire cannot be replaced.</p> <p>*) On a scale from A++ (highest efficiency) to E (lowest efficiency)</p>		
			Dampers for bed drawers Set for 2 drawers (art. no. 0370.XX)	Indirect bedside lighting, LED Set of 2, incl. transformer, with motion sensor ↔ 2 cm ↓ 3 cm ↗ 28 cm
			Article PG Price	2200 1

Carcase/ Front/ Applications	Colour code	PG	Interior colour	Extras
Matt white/ Graphite app., basalt faux leather	Z2418	1	Structure grey	See separate list
Matt fango/ Sanremo oak dark colour app., fango faux leather	Z2419	1	Structure grey	Z3011



Top in application colour.	
	
Hanging bedside tables, set of 2, left/ right	Bedside table, upright
Each with 1 drawer	2 drawers
↔ 51 cm ↓ 23 cm ↗ 41 cm	↔ 51 cm ↓ 49 cm ↗ 41 cm
Article PG	N802 1
	N804 1

MATCHING PIECES		Top in application colour.	
			
Drawer unit	Drawer unit	Drawer unit	Cupboard
4 drawers	4 drawers	1 door, 4 drawers, 2 shelves	2 doors, 2 shelves
↔ 61 cm ↓ 84 cm ↗ 41 cm	↔ 121 cm ↓ 84 cm ↗ 41 cm	↔ 121 cm ↓ 84 cm ↗ 41 cm	↔ 121 cm ↓ 84 cm ↗ 41 cm
Article PG Price	B800 1	B801 1	B803 1
			B804 1

MATCHING PIECES		Top in application colour.	
			
Combi cupboard	Wall mirror		
2 doors, 4 drawers, 4 shelves	Horizontal or vertical		
↔ 182 cm ↓ 84 cm ↗ 41 cm	↔ 120 cm ↓ 55 cm ↗ 2 cm		
Article PG Price	B807 1	0838 1	

Carcase/ Front/ Applications	Colour code	PG	Interior colour	Extras
Matt white/ Graphite app., basalt faux leather	Z2418	1	Structure grey	See separate list
Matt fango/ Sanremo oak dark colour app., fango faux leathero	Z2419	1	Structure grey	Z3011



WARDROBES Outer doors in carcase colour, doors with mirrors in application colour, handles in chrome colour.

Hinged door robes with mirrors Please see the BASIC additional articles list for wardrobe interior fittings.				
	Hinged door robe 4 doors, 2 mirrors ↔ 200 cm ↓ 223 cm ↗ 61 cm	Hinged door robe 5 doors, 3 mirrors ↔ 250 cm ↓ 223 cm ↗ 61 cm	Hinged door robe 6 doors, 4 mirrors ↔ 300 cm ↓ 223 cm ↗ 61 cm	
	Article PG Price S802 1	Article PG Price S804 1	Article PG Price S806 1	

WARDROBES 2 doors on the left in carcase colour, doors with mirrors and drawers in application colour, handles in chrome colour. Extras

Combination hinged door robes with mirrors. Please see the BASIC additional articles list for wardrobe interior fittings.				Please order using colour code 3011.
	Combination hinged door robe 4 doors, 2 drawers, 2 mirrors ↔ 200 cm ↓ 223 cm ↗ 61 cm	Combination hinged door robe 5 doors, 2 drawers, 3 mirrors ↔ 250 cm ↓ 223 cm ↗ 61 cm	Combination hinged door robe 6 doors, 4 drawers, 4 mirrors ↔ 300 cm ↓ 223 cm ↗ 61 cm	Hinged door damper for 1 hinged door
	Article PG Price S902 1	Article PG Price S904 1	Article PG Price S906 1	0016 1

PASSEPARTOUT for hinged door robes, in carcase colour

without lighting				
	Passepartout for 4 doors ↔ 206 cm ↓ 226 cm ↗ 66 cm	Passepartout for 5 doors ↔ 256 cm ↓ 226 cm ↗ 66 cm	Passepartout for 6 doors ↔ 305 cm ↓ 226 cm ↗ 66 cm	
	Article PG Price 3184 1	Article PG Price 3185 1	Article PG Price 3186 1	

Carcase/ Front/ Applications	Colour code	PG	Interior colour	Extras
Matt white/ Graphite app., basalt faux leather	Z2418	1	Structure grey	Z3011
Matt fango/ Sanremo oak dark colour app., fango faux leather	Z2419	1	Structure grey	Z3011



PASSEPARTOUT			for hinged door robes, in carcase colour			lighting					
with lighting											
	Passepartout with lighting, for 4 doors		Passepartout with lighting, for 5 doors		Passepartout with lighting, for 6 doors		This luminaire contains built-in LED lamps of the energy classes A++ - A*. The lamps in the luminaire cannot be replaced.				
	↔ 206 cm ↓ 226 cm ↗ 66 cm		↔ 256 cm ↓ 226 cm ↗ 66 cm		↔ 305 cm ↓ 226 cm ↗ 66 cm		*) On a scale from A++ (highest efficiency) to E (lowest efficiency)				
Article	PG	Price	3194	1		3195	1		3196	1	

WARDROBES		Front in carcase colour, middle sections with mirror and application colour. Handle strips in carcase colour.												
Gliding door robes	Please see the BASIC accessory list for wardrobe interior fittings.													
		Gliding door robe	Gliding door robe	Gliding door robe	Gliding door robe	Gliding door robe	Gliding door robe	Gliding door robe	Gliding door robe	Gliding door robe				
		2 doors, with mirror	2 doors, with mirror	2 doors, with mirror	2 doors, with mirror	2 doors, with mirror	2 doors, with mirror	2 doors, with mirror	2 doors, with mirror	2 doors, with mirror				
		↔ 200 cm ↓ 223 cm ↗ 68 cm	↔ 239 cm ↓ 223 cm ↗ 68 cm	↔ 280 cm ↓ 223 cm ↗ 68 cm	↔ 300 cm ↓ 223 cm ↗ 68 cm									
Article	PG	Price	70SW	1		72SW	1		74SW	1		75SW	1	

PASSEPARTOUT		for gliding door robes, in carcase colour												
without lighting														
	Passepartout for 70SW	Passepartout for 72SW	Passepartout for 74SW	Passepartout for 75SW										
	↔ 212 cm ↓ 227 cm ↗ 71 cm	↔ 250 cm ↓ 227 cm ↗ 71 cm	↔ 292 cm ↓ 227 cm ↗ 71 cm	↔ 311 cm ↓ 227 cm ↗ 71 cm										
Article	PG	Price	3100	1		3102	1		3105	1		3106	1	

Carcase/ Front/ Applications	Colour code	PG	Interior colour	Extras
Matt white/ Graphite app., basalt faux leather	Z2418	1	Structure grey	Z3011
Matt fango/ Sanremo oak dark colour app., fango faux leathero	Z2419	1	Structure grey	Z3011



PASSEPARTOUT		for gliding door robes, in carcase colour								
with lighting										
	Passepartout		Passepartout		Passepartout					
	with lighting, for 705W		with lighting, for 725W		with lighting, for 745W					
	↔ 212 cm ↓ 227 cm ↗ 71 cm		↔ 250 cm ↓ 227 cm ↗ 71 cm		↔ 292 cm ↓ 227 cm ↗ 71 cm					
Article	PG	Price	3110	1	3112	1	3115	1	3116	1

		for gliding door robes		Lighting		
		Please order using colour code Z3011.	Please order using colour code Z3011.	<p>This luminaire contains built-in LED lamps of the energy classes A++ - A*. The lamps in the luminaire cannot be replaced.</p> <p>*) On a scale from A++ (highest efficiency) to E (lowest efficiency)</p>		
		Door dampers for gliding door robes	Opening damper for gliding door robes			
		Set of 2	1, for 2-door gliding door robes			
			↔ 6 cm ↓ 2 cm ↗ 11 cm			
Article	PG	Price	2002	1	2000	1

Carcase/ Front/ Applications	Colour code	PG	Interior colour	Extras
Matt white/ Graphite app., basalt faux leather	Z2418	1	Structure grey	Z3011
Matt fango/ Sanremo oak dark colour app., fango faux leather	Z2419	1	Structure grey	Z3011



MADE-TO-MEASURE		APN-No.	Price	
Hinged door robe	Additional mirror door, per door	101		
	Additional matt colour door, per door	076		
All wardrobes can be extended	Shorten height, per door (incl. mirror doors)	511		
	Shorten depth, per unit	301		
	Door hinges on the left	149		
	Back angle (notch for f replace)	160		
	Angle to the rear, per unit (max. 45 cm from rear edge)	171		
	Angle at the side, per door (not mirror doors; min. side height 125 cm)	161		
	Combination hinged door robe	Additional mirror door on long doors, per door	101	
Short doors without mirror in matt colour, per door		071		
Wardrobes CANNOT be added to on the drawer side!	Drawer front in matt colour, per drawer	251		
	Shorten height, per door (incl. mirror doors)	511		
	Angle to the rear (notch for f replace; not in drawer area)	160		
	Angle to the rear, per unit (max. 45 cm from rear edge)	171		
	Angle at the side, per door (not mirror doors; not where the drawers are located)	161		
Passepartout	Shorten height of passepartout	130		
Gliding door robe	Shorten depth of wardrobe widths 200 cm, 240 cm	302		
	Shorten depth of wardrobe widths 280 cm, 300 cm	304		
	With optional door damper and automatic closing mechanism	Shorten height of wardrobe widths 200 cm, 240 cm	680	
		Shorten height of wardrobe widths 280 cm, 300 cm	682	
		Angle to the rear, wardrobe widths 200 cm, 240 cm (max. 35 cm from rear edge)	172	
		Angle to the rear, wardrobe widths 280 cm, 300 cm (max. 35 cm from rear edge)	174	
Back angle (notch for f replace)	160			
Bed combination	Shorten width in bedside table area (only without lighting; max. 15 cm on each side).	237		
Bedside cupboard/ Panels	Replace drawer front - different colour from same model, per drawer	243		
	Top - different colour from the same model, per top	243		
Cupboards	Shorten width B800 and B801	246		
	Shorten width B803 in drawer area	246		
	Shorten width B803 in door area	248		
	Shorten width B804 on both sides	248		
	Shorten width B807 on both sides	248		
	4 drawers instead of door	249		
	1 door in place of a set of drawers	247		
	Replace drawer front - different colour from same model, per drawer	243		
	Top - different colour from the same model, per top	243		
	Shorten height of all cupboards (cupboards with drawers: by whole drawers only)	250		
	Handle change possible, prices on request			
Miscellaneous	Fascia material, colour finished on both sides, 16 mm thick, matt fango, max. 235.2 x 58.6 cm (min. 10 cm cutting width) per sqm	260		
	Fascia material, colour finished on both sides, 16 mm thick, matt white, max. 240 x 84 cm (min. 10 cm cutting width) per sqm	260		
	Fascia material, colour finished on both sides, 16 mm thick, Sanremo oak, max. 240 x 84 cm (min. 10 cm cutting width) per sqm	260		

More made-to-measure options are available on request! Technical department telephone number: Martin Becker +49 (0) 6545 81823