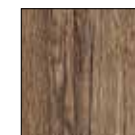




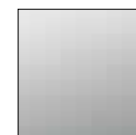
Carcase/Front/Applications	Interior colour	Colour code
Black matt/ App. Colour Sanremo oak dark colour	Structure grey	Z3277



Black matt



Colour Sanremo oak dark colour



Grey mirror

Very easy to plan using:  
**furn plan**

Matching rauch BLACK ACCESSORIES 1.0 can be found after the made-to-measure options.

Details of our made-to-measure service can be found after the passepartouts.

Supplier: Möbelwerke Mastershausen GmbH

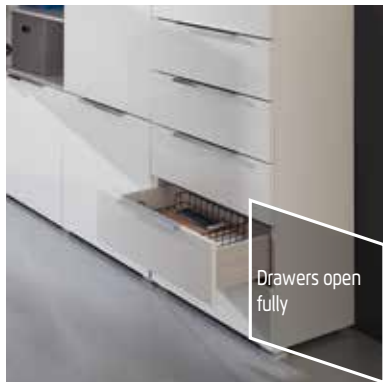
# Quality features

rauch BLACK

rauch  
BLACK



\* Except model Ocean



- Sophisticat-  
ed design
- Outstanding  
workmanship
- Elegant  
front de-  
signs
- First-class  
furniture  
fittings
- Individual  
accessories
- Special sizes

# Signed and sealed quality

## Quality in detail

### Wardrobe

Carcase and passepartouts .... Easy-care colour surface inside and out  
 Front ..... Colour/Grey mirror  
 Lighting ..... LED lighting (with transformer and foot switch)

### Bed

Headboard ..... Colour surface  
 Bed frame ..... Colour surface  
 Mattress height ..... 4-way adjustable  
 Lighting ..... LED lighting

### Bedside cupboards and matching pieces

Carcase ..... Easy-care colour surface inside and out  
 Front ..... Colour surface  
 Drawers ..... On silent ball-bearing runners, open fully cushioned self-closing mechanism  
 Lighting ..... LED lighting

### Made-to-measure range:

We can provide made-to-measure solutions on request.  
 Customised and unique solutions are possible for virtually any room situation.

## Material information



### Colour

Furniture with colour finish has an evenly attractive, hard-wearing surface. The surfaces are coated with very high-quality, easy-care furniture decor foil.



### Load-bearing capacity

The load limits for all furniture and extras can be found in the load table at:  
[www.rauchmoebel.de/unternehmen/qualitaet-amp-umwelt.html](http://www.rauchmoebel.de/unternehmen/qualitaet-amp-umwelt.html)



### WOODMAX chipboard

This healthy green-wood chipboard was designed specifically for use in living areas. Our Woodmax chipboard is made only from pollutant-free small-diameter logs and windfall timber from sustainably managed forestry operations in regional woods.

### Our natural raw material

Rauch has won various awards for the material used in its boards. Strict tests by impartial institutes consistently confirm that our materials and processes are not harmful to health.



## Wardrobe carcase features

### Optimum wardrobe dimensions

Take advantage of the maximum possible storage space, achieved thanks to:  
 50 cm width increments ..... 150 - 400 cm  
 Height ..... 223 cm  
 Usable depth ..... 57 cm

### Functional and timeless interior design

Enhanced style and elegance in both presentation and inner values:  
 Interior colours ..... match the respective carcase colour  
 Elegant plinth height ..... 32 mm visible  
 Sturdy shelves ..... 22 mm thick, with double bevels and bolted angle brackets  
 Inconspicuous pattern of drill holes. ø 3 mm  
 Hinges ..... with dampers, 4 per hinged door

### Dust protection

Sealing profiles on the plinth and top as well as dust brushes on the doors prevent dust penetration.

See rauch BLACK ACCESSORIES 1.0 for robe accessories.

## Award-winning and certified



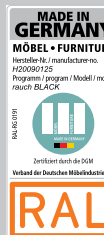
### 10 years rauch manufacturer's warranty.

Warranty terms and conditions on [rauchmoebel.com/garantie](http://rauchmoebel.com/garantie) and in information enclosed with the product.



### Made in Germany

High-quality materials, state-of-the-art technology and perfect workmanship – for more than 120 years the name Rauch has been synonymous with reliable and durable quality furniture, made in Germany.



The certificate of origin labels furniture from Germany that meets strictly defined criteria. Construction, assembly, quality checks and the relevant manufacturing process takes place in Germany.



### Sustainability

Rauch was awarded the title of "Germany's most sustainable medium-sized company 2014" because we are consistent in pursuing our objective of offering ecologically and socially sustainable furniture at affordable prices.



### The „Golden M“

The Golden M is a sign that furniture has been tested for quality, safety and healthy living. So you can rest assured that you are buying quality furniture with good, reliable properties

# VENTURA-PLUS

rauch BLACK

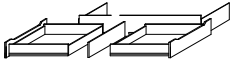
Carcase/Front/Applications	Colour code	PG	Interior colour	Accessories
Black matt/App. Colour Sanremo oak dark colour	Z3277	1	Structure grey	Z3011

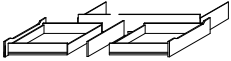
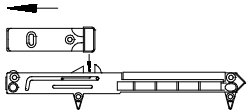
BEDS		Headboard incl. 2 glass shelves; Adjustable fittings for mattress height; Side height: 49 cm			
without bench at foot end	W 160 cm W 180 cm				
		bed 160x200 ↔288 cm †109 cm ↗208 cm BG 32	bed 160x210 ↔288 cm †109 cm ↗218 cm BG 33	bed 180x200 ↔308 cm †109 cm ↗208 cm BG 37	bed 180x210 ↔308 cm †109 cm ↗218 cm BG 38
Article	PG Price	<b>5145</b> 1	<b>5145</b> 1	<b>5145</b> 1	<b>5145</b> 1


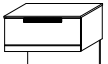
BEDS		Headboard incl. 2 glass shelves; Adjustable fittings for mattress height; Side height: 49 cm			
without bench at foot end	W 200 cm				
		bed 200x200 ↔328 cm †109 cm ↗208 cm BG 42	bed 200x210 ↔328 cm †109 cm ↗218 cm BG 43		
Article	PG Price	<b>5145</b> 1	<b>5145</b> 1		

BEDS		Headboard incl. 2 glass shelves; Adjustable fittings for mattress height; Side height: 49 cm			
with bench in basalt faux leather at foot end	W 160 - 200 cm				
		bed 160x200 ↔288 cm †109 cm ↗228 cm BG 32	bed 180x200 ↔308 cm †109 cm ↗228 cm BG 37	bed 200x200 ↔328 cm †109 cm ↗228 cm BG 42	
Article	PG Price	<b>5182</b> 1	<b>5182</b> 1	<b>5182</b> 1	

Carcase/Front/Applications	Colour code	PG	Interior colour	Accessories
Black matt/App. Colour Sanremo oak dark colour	Z3277	1	Structure grey	Z3011

BEDS		Set of 2, on castors, incl. plinth panel; Dimensions = individual dimensions of drawers								
W 160 cm W 180 cm	 <p><b>Please note!!</b> For a bed with faux leather bench, the bed drawer set must always be ordered in 220-cm length!</p>									
					plinth drawer	Sockelschubkasten	plinth drawer	plinth drawer		
	160x200 BG 32	160x210 BG 33	180x200 BG 37	180x210 BG 38						
	160x220 BG 34		180x220 BG 39							
Article	PG	Price	<b>0370</b>	1	<b>0370</b>	1	<b>0370</b>	1	<b>0370</b>	1

BEDS		Set of 2, on castors, incl. plinth panel; Dimensions = individual dimensions of drawers			Extras for beds			
W 200 cm	 <p><b>Please note!!</b> For a bed with faux leather bench, the bed drawer set must always be ordered in 220-cm length!</p>							
							plinth drawer	plinth drawer
	200x200 BG 42	200x210 BG 43	bed drawer damper					
	200x220 BG 44	set of 2						
		Please order using colour code Z3011.						
Article	PG	Price	<b>0370</b>	1	<b>0370</b>	1	<b>2200</b>	1



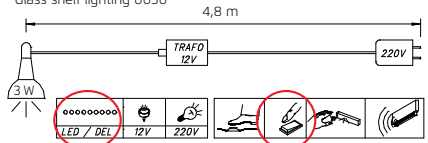

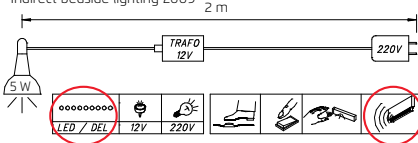
BEDSIDE CUPBOARDS		Drawers in application colour.; Metal handles in carcass colour			
					
					bedside table for hanging
	1 drawer				
	↔61 cm ↓49 cm ↗41 cm				
Article	PG	Price	<b>N300</b>	1	

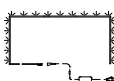

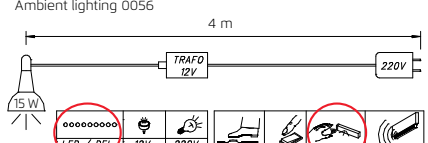
# VENTURA-PLUS

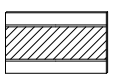
rauch BLACK



Carcase/Front/Applications	Colour code	PG	Interior colour	Accessories
Black matt/App. Colour Sanremo oak dark colour	Z3277	1	Structure grey	Z3011

BEDS		Lighting for beds					
		Glass shelf lighting 0050 4,8 m 	Please order using colour code <b>Z3011</b> order 	Indirect bedside lighting 2009 2 m 			
		set of 2 LED lights for shelf +-1 cm +1 cm ↗28 cm			This light contains built-in LED lamps of energy classes A++ to A**. The lamps in the light cannot be replaced. *) On a scale from A++ (highest efficiency) to E (lowest efficiency)	set of 2 LED lights indirect bedside lighting with motion sensor +-2 cm +3 cm ↗28 cm	This light contains built-in LED lamps of energy classes A++ to A**. The lamps in the light cannot be replaced. *) On a scale from A++ (highest efficiency) to E (lowest efficiency)
		<b>Article</b> <b>PG</b> <b>Price</b> <b>0050</b> <b>1</b>			<b>2009</b> <b>1</b>		

BEDS		Lighting for beds			
		Ambient lighting 0056 4 m 			
		LED strip for bed			This light contains built-in LED lamps of energy classes A++ to A**. The lamps in the light cannot be replaced. *) On a scale from A++ (highest efficiency) to E (lowest efficiency)
		<b>Article</b> <b>PG</b> <b>Price</b> <b>0056</b> <b>1</b>			

MATCHING PIECES		in carcase colour		
		wall mirror		
		+-120 cm +55 cm ↗2 cm		
		<b>Article</b> <b>PG</b> <b>Price</b> <b>0838</b> <b>1</b>		

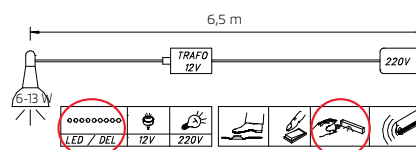


Carcase/Front/Applications	Colour code	PG	Interior colour	Accessories
Black matt/App. Colour Sanremo oak dark colour	Z3277	1	Structure grey	Z3011

MATCHING PIECES		Doors in carcase colour, Drawers in application colour.; Metal handles in carcase colour			
optionally with or without LED lighting  (Please include additional art. no. and surcharge if lighting is required!)					
	chest	chest	chest	chest	
	4 drawers	2-door, 2 drawers	1-door, hinged right, 4 drawers	1-door, hinged left, 4 drawers	
	↔61 cm ;84 cm ;41 cm	↔121 cm ;84 cm ;41 cm	↔121 cm ;84 cm ;41 cm	↔121 cm ;84 cm ;41 cm	
Article	PG	Price	<b>B320</b>	<b>1</b>	
			<b>B321</b>	<b>1</b>	
			<b>B322</b>	<b>1</b>	
			<b>B323</b>	<b>1</b>	

MATCHING PIECES		Doors in carcase colour, Drawers in application colour.; Metal handles in carcase colour			
optionally with or without LED lighting  (Please include additional art. no. and surcharge if lighting is required!)					
	chest	chest	chest		
	4 drawers	2-door, 4 drawers	3-door, 3 drawers		
	↔121 cm ;84 cm ;41 cm	↔182 cm ;84 cm ;41 cm	↔182 cm ;84 cm ;41 cm		
Article	PG	Price	<b>B327</b>	<b>1</b>	
			<b>B324</b>	<b>1</b>	
			<b>B326</b>	<b>1</b>	

SURCHARGE LED LIGHTING	Width in cm	60	120	180	Note: The LED lighting raises the height of the selected units by approx. 1 cm and can be ordered with all colour codes..
	Name	Aufpreis für LED-Beleuchtung für 60er Kommoden	Aufpreis für LED-Beleuchtung für 120er Kommoden	Aufpreis für LED-Beleuchtung für 180er Kommoden	
Additional art. no.   Surcharge		<b>0101</b>	<b>0102</b>	<b>0103</b>	



This light contains built-in LED lamps of energy classes A++ to A\*\*. The lamps in the light cannot be replaced..

\*) On a scale from A++ (highest efficiency) to E (lowest efficiency)

# VENTURA-PLUS

rauch BLACK



Carcase/Front/Applications	Colour code	PG	Interior colour	Accessories
Black matt/App. Colour Sanremo oak dark colour	Z3277	1	Structure grey	Z3011

WARDROBES					Outer doors and inlay panel in application colour, middle door with grey mirror, Metal handles in carcase colour					
Hinged door wardrobes, middle door with grey mirror  See rauch BLACK ACCESSORIES 1.0 for robe accessories.										
	hinged door wardrobe		hinged door wardrobe		hinged door wardrobe		hinged door wardrobe			
	3-door, 1 mirror door		4-door, 2 mirror doors		5-door, 3 mirror doors		6-door, 4 mirror doors			
↔151 cm †223 cm ↗61 cm		↔200 cm †223 cm ↗61 cm		↔250 cm †223 cm ↗61 cm		↔300 cm †223 cm ↗61 cm				
Article	PG	Price	<b>S093</b>	1	<b>S094</b>	1	<b>S097</b>	1	<b>S099</b>	1

WARDROBES					Outer doors and inlay panel in application colour, middle door with grey mirror, Metal handles in carcase colour					
Hinged door wardrobes, middle door with grey mirror  See rauch BLACK ACCESSORIES 1.0 for robe accessories.										
	hinged door wardrobe		hinged door wardrobe							
	7-door, 5 mirror doors		8-door, 6 mirror doors							
↔349 cm †223 cm ↗61 cm		↔399 cm †223 cm ↗61 cm								
Article	PG	Price	<b>S104</b>	1	<b>S105</b>	1				

WARDROBES					Outer doors and inlay panel in application colour, Middle doors in carcase colour, Metal handles in carcase colour					
Hinged door wardrobes, Middle doors in carcase colour  See rauch BLACK ACCESSORIES 1.0 for robe accessories.										
	hinged door wardrobe		hinged door wardrobe		hinged door wardrobe		hinged door wardrobe			
	3-door		4-door		5-door		6-door			
↔151 cm †223 cm ↗61 cm		↔200 cm †223 cm ↗61 cm		↔250 cm †223 cm ↗61 cm		↔300 cm †223 cm ↗61 cm				
Article	PG	Price	<b>S073</b>	1	<b>S074</b>	1	<b>S075</b>	1	<b>S076</b>	1



Carcase/Front/Applications	Colour code	PG	Interior colour	Accessories
Black matt/App. Colour Sanremo oak dark colour	Z3277	1	Structure grey	Z3011

WARDROBES				
Outer doors and inlay panel in application colour, Middle doors in carcase colour, Metal handles in carcase colour				
Hinged door ward- robes, Middle doors in car- case colour  See rauch BLACK AC- CESSORIES 1.0 for robe accessories.				
	<b>hinged door wardrobe</b>	<b>hinged door wardrobe</b>		
	7-door	8-door		
	↔349 cm †223 cm ↗61 cm	↔399 cm †223 cm ↗61 cm		
<b>Article</b>	<b>PG</b>	<b>Price</b>	<b>S077</b>	<b>1</b>
			<b>S078</b>	<b>1</b>





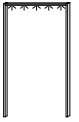


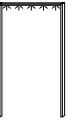
PASSEPARTOUT				
for hinged door robes, in carcase colour				
without lighting				
	<b>passepartout</b>	<b>passepartout</b>	<b>passepartout</b>	<b>passepartout</b>
	for hinged door robe 150cm	for hinged door robe 200cm	for hinged door robe 250cm	for hinged door robe 300cm
	↔156 cm †226 cm ↗66 cm	↔206 cm †226 cm ↗66 cm	↔256 cm †226 cm ↗66 cm	↔305 cm †226 cm ↗66 cm
<b>Article</b>	<b>PG</b>	<b>Price</b>	<b>3183</b>	<b>1</b>
			<b>3184</b>	<b>1</b>
			<b>3185</b>	<b>1</b>
			<b>3186</b>	<b>1</b>

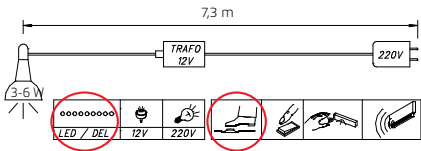
PASSEPARTOUT				
for hinged door robes, in carcase colour				
without lighting				
	<b>passepartout</b>	<b>passepartout</b>		
	for hinged door robe 350cm	for hinged door robe 400cm		
	↔355 cm †226 cm ↗66 cm	↔404 cm †226 cm ↗66 cm		
<b>Article</b>	<b>PG</b>	<b>Price</b>	<b>3187</b>	<b>1</b>
			<b>3188</b>	<b>1</b>

# VENTURA-PLUS

rauch BLACK

Carcase/Front/Applications	Colour code	PG	Interior colour	Accessories
Black matt/App. Colour Sanremo oak dark colour	Z3277	1	Structure grey	Z3011

PASSEPARTOUT		for hinged door robes, in carcase colour			
with lighting					
					
	passepartout	passepartout	passepartout	passepartout	
	for hinged door robe 150cm with lighting	for hinged door robe 200cm with lighting	for hinged door robe 250cm with lighting	for hinged door robe 300cm with lighting	
	↔156 cm ↓226 cm ↗66 cm	↔206 cm ↓226 cm ↗66 cm	↔256 cm ↓226 cm ↗66 cm	↔305 cm ↓226 cm ↗66 cm	
Article	PG	Price	<b>3193</b>	<b>1</b>	
			<b>3194</b>	<b>1</b>	
			<b>3195</b>	<b>1</b>	
			<b>3196</b>	<b>1</b>	

PASSEPARTOUT		Lighting for passepartout frame			
	 <p>7,3 m</p> <p>3-6 W</p> <p>TRAFD 12V</p> <p>220V</p> <p>LED / DEL 12V 220V</p>				
	<p>This light contains built-in LED lamps of energy classes A++ to A**. The lamps in the light cannot be replaced.</p> <p>*) On a scale from A++ (highest efficiency) to E (lowest efficiency)</p>				
Article	Price				



Carcase/Front/Applications	Colour code	PG	Interior colour	Accessories
Black matt/App. Colour Sanremo oak dark colour	Z3277	1	Structure grey	Z3011

WARDROBES		Doors partly in contrast colour, with grey mirror in the middle, Handle strips in carcase colour												
Sliding door wardrobes with mirrors  See rauch BLACK ACCESSORIES 1.0 for robe accessories.														
	sliding door wardrobe	sliding door wardrobe	sliding door wardrobe	sliding door wardrobe										
	2-door, 2 mirror doors	2-door, 2 mirror doors	2-door, 2 mirror doors	2-door, 2 mirror doors										
	↔239 cm †223 cm ↗68 cm	↔261 cm †223 cm ↗68 cm	↔300 cm †223 cm ↗68 cm	↔338 cm †223 cm ↗68 cm										
Article	PG	Price	<b>SW02</b>	<b>1</b>	<b>SW03</b>	<b>1</b>	<b>SW04</b>	<b>1</b>	<b>SW07</b>	<b>1</b>				





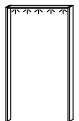
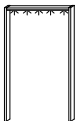
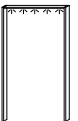

ACCESSORIES		for sliding door robes										
	set of 2 dampers for sliding wardrobes EASY SLIDE of 2-4 door sliding door wardrobes											
	↔5 cm †2 cm ↗27 cm											
	Article	PG	Price	<b>2182</b>	<b>1</b>							

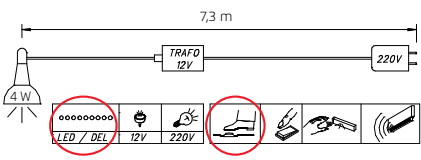
PASSEPARTOUT		for sliding door robes, in carcase colour												
without lighting														
	passepartout	passepartout	passepartout	passepartout										
	for sliding wardrobe 239cm	for sliding wardrobe 260 cm	for sliding wardrobe 299cm	for sliding wardrobe 340cm										
	↔250 cm †227 cm ↗71 cm	↔273 cm †227 cm ↗71 cm	↔311 cm †227 cm ↗71 cm	↔349 cm †227 cm ↗71 cm										
Article	PG	Price	<b>2409</b>	<b>1</b>	<b>2410</b>	<b>1</b>	<b>2412</b>	<b>1</b>	<b>2414</b>	<b>1</b>				

# VENTURA-PLUS

rauch BLACK

Carcase/Front/Applications	Colour code	PG	Interior colour	Accessories
Black matt/App. Colour Sanremo oak dark colour	Z3277	1	Structure grey	Z3011

PASSEPARTOUT		for sliding door robes, in carcase colour			
with lighting					
					
	<b>passepartout</b> for sliding wardrobe 239cm with lighting ↔250 cm ‡227 cm ↗71 cm	<b>passepartout</b> with lighting, for sliding wardrobe 260 cm ↔273 cm ‡227 cm ↗71 cm	<b>passepartout</b> for sliding wardrobe 299cm with lighting ↔311 cm ‡227 cm ↗71 cm	<b>passepartout</b> for sliding wardrobe 340cm with lighting ↔349 cm ‡227 cm ↗71 cm	
<b>Article</b>	<b>PG</b>	<b>Price</b>	<b>3869</b>	<b>1</b>	
			<b>3870</b>	<b>1</b>	
			<b>3872</b>	<b>1</b>	
			<b>3874</b>	<b>1</b>	

PASSEPARTOUT		Lighting for passepartout frame
		 <p>7,3 m</p> <p>TRAFO 12V</p> <p>220V</p> <p>4 W</p> <p>LED / DEL 12V 220V</p>
		<p>This light contains built-in LED lamps of energy classes A++ to A**. The lamps in the light cannot be replaced..</p> <p>*) On a scale from A++ (highest efficiency) to E (lowest efficiency)</p>

MADE-TO-MEASURE		APN No.	Price
<b>Cornice</b>	Cornice modification to accommodate a special combination of articles, per article	Z500	
<b>Hinged door wardrobe</b>  All wardrobes can be extended	Door replacement - different colour from model (in carcass colour), per door	Z076	
	Door replacement - different colour from model (in application colour), per door	Z086	
	Additional mirror door, per door	Z101	
	Shorten height, per door (incl. mirror doors)	Z111	
	Shorten depth, per unit	Z301	
	Shorten base (by max. 2 cm, per unit)	Z119	
	Door hinges on the left	Z149	
	Back angle (notch for fireplace)	Z160	
	Angle to the rear, per unit	Z171	
	Angling to the side, per door (incl. mirror doors – without cutting into the inlay panel)	Z161	
<b>Passepartout</b>	Shorten height of passepartout	Z130	
	7-door with lighting - 7 Lamps - with 2 transformers and 2 foot switches	Art. 3193+3194 + 2x Z497	
	8-door with lighting - 8 Lamps - with 2 transformers and 2 foot switches	2 x Art. 3194 + 2x Z498	
<b>Sliding door wardrobe</b>  with door damper and automatic closing mechanism, optional	Shortened depth, per unit	Z301	
	Shorten height SW02	Z680	
	Shorten height SW03	Z682	
	Shorten height SW04	Z682	
	Shorten height SW07	Z682	
	Angled cutout at the back Notching for chimney breast)	Z160	
<b>Beds</b>	Angle to the rear, per unit	Z171	
	<b>Please note! Beds with bench at foot end are not possible in side length 210 or 220 cm!</b>		
	Shorten side length to 190 cm	Z227	
	Height reduction of headboard (max. by 11 cm; rear panel is shortened in height)	Z210	
<b>Cupboards</b>	Width reduction of bed combination in bedside table area (right + left, max. by 6 cm per side)	Z237	
	Width reduction of narrow or wide chest of drawers	Z246	
	Width reduction of Vertiko on 1-door, Right or left	Z248	
	Width reduction of Vertiko, both sides	Z258	
	Vertiko - 3 Drawers in place of door	Z245	
	Combi cupboard with 4 drawers, r. or l. - Width reduction in door area	Z248	
	Combi cupboard with 4 drawers, r. or l. - Width reduction in drawer area	Z246	
	Combi cupboard with 4 drawers, r. or l. - 4 drawers in place of door	Z249	
	combi cupboard with 3 doors and 3 drawers - Width reduction from right and left	Z258	
	combi cupboard with 3 doors and 3 drawers - 3 drawers in place of door	Z245	
	combi cupboard with 4 drawers in the middle - Width reduction from right and left	Z248	
	combi cupboard with 4 drawers in the middle - 1 door in place of drawers	Z247	
	combi cupboard with 4 drawers in the middle - 4 drawers in place of door	Z246	
	Front replacement - different colour from model, per door	Z086	
	Height reduction of all chests (For chests with drawers, always by whole drawer height only)	Z250	
	<b>Other</b>	Fascia material, colour finished on both sides, 16 mm thick, max. 235,2 x 58,6 cm (min. 10 cm cutting width) per sqm	Z260

More made-to-measure options are available on request!! Technical department telephone number: **Silke Steffen** 06545 81-821

# VENTURA-PLUS

rauch BLACK



# ACCESSORIES 1.0

rauch BLACK

for hinged/sliding door wardrobes  
Element width 50, 60, 80, 90, 100, 120 cm



Interior colour	Colour code
Oldenburg beech colour	Z3010
Structure grey	Z3011



Oldenburg beech colour



Structure grey

Supplier: Möbelwerke Mastershausen GmbH

# ACCESSORIES 1.0

rauch BLACK

for hinged/sliding door wardrobes

Element width 50, 60, 80, 90, 100, 120 cm

Interior colour	Colour code	PG
Oldenburg beech colour	Z3010	1
Structure grey	Z3011	1

ACCESSORIES			Shelves					
			50	60	80	90	100	120
			Shelves for unit width 50cm ↔48 cm †2,2 cm ↗50 cm	Shelves for unit width 60cm ↔58 cm †2,2 cm ↗50 cm	Shelves for unit width 80cm ↔78 cm †2,2 cm ↗50 cm	Shelves for unit width 90cm ↔88 cm †2,2 cm ↗50 cm	Shelves for unit width 100cm ↔98 cm †2,2 cm ↗50 cm	Shelves for unit width 120 c ↔117 cm †2,2 cm ↗50 cm
Article	PG	Price	<b>2055</b>	<b>2056</b>	<b>2057</b>	<b>2170</b>	<b>2058</b>	<b>2059</b>
Sets of 3	PG	Price	<b>2155</b>	<b>2156</b>	<b>2157</b>	<b>2171</b>	<b>2158</b>	<b>2159</b>

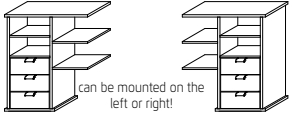
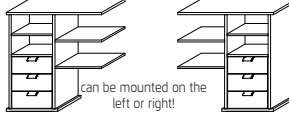
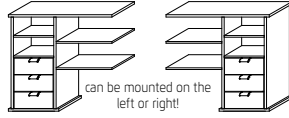
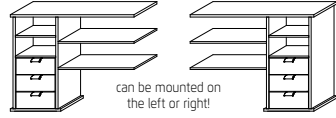
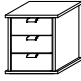
ACCESSORIES			Clothes rails					
			50	60	80	90	100	120
			hanging rail for unit width 50cm ↔47 cm †3 cm ↗2 cm	hanging rail for unit width 60cm ↔57 cm †3 cm ↗2 cm	hanging rail for unit width 80cm ↔77 cm †3 cm ↗2 cm	hanging rail for unit width 90cm ↔87 cm †3 cm ↗2 cm	hanging rail for unit width 100cm ↔97 cm †3 cm ↗2 cm	hanging rail for unit width 120 c ↔116 cm †3 cm ↗2 cm
Article	PG	Price	<b>2011</b>	<b>2012</b>	<b>2017</b>	<b>2172</b>	<b>2013</b>	<b>2014</b>

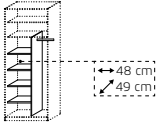
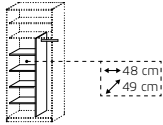
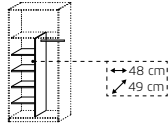
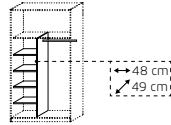
ACCESSORIES			Drawer unit					
			50	60	80	90	100	120
All drawers are fitted with base rails and a cushioned self-closing mechanism.								
			interior drawer with 3 drawers for unit width 50cm ↔48 cm †53 cm ↗50 cm	interior drawer with 3 drawers for unit width 60cm ↔58 cm †53 cm ↗50 cm	interior drawer with 3 drawers for unit width 80cm ↔79 cm †53 cm ↗50 cm	interior drawer with 3 drawers for unit width 90cm ↔88 cm †53 cm ↗50 cm	interior drawer with 3 drawers for unit width 100cm ↔98 cm †53 cm ↗50 cm	interior drawer with 3 drawers for unit width 120 c ↔117 cm †53 cm ↗50 cm
			Article	PG	Price	<b>2070</b>	<b>2071</b>	<b>2069</b>

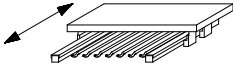
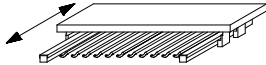
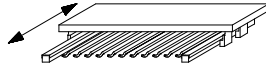
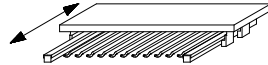
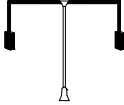


for hinged/sliding door wardrobes  
Element width 80, 90, 100, 120 cm

Interior colour	Colour code	PG
Oldenburg beech colour	Z3010	1
Structure grey	Z3011	1

ACCESSORIES			Drawer unit					
All drawers are fitted with base rails and a cushioned self-closing mechanism.			<b>80</b>	<b>90</b>	<b>100</b>	<b>120</b>	Suitable for all widths.	
								
			interior drawer	interior drawer	interior drawer	interior drawer		interior drawer
			with 3 drawers with 3 shelves for unit width 80cm	with 3 drawers with 3 shelves for unit width 90cm	with 3 drawers with 3 shelves for unit width 100cm	with 3 drawers with 3 shelves for unit width 120 c		with 3 drawers
			↔79 cm ↓94 cm ↗50 cm	↔88 cm ↓94 cm ↗50 cm	↔98 cm ↓94 cm ↗50 cm	↔117 cm ↓94 cm ↗50 cm		↔48 cm ↓54 cm ↗50 cm
Article	PG	Price	<b>2078</b>	<b>2174</b>	<b>2079</b>	<b>2080</b>	<b>2074</b>	

ACCESSORIES			Interior division				
			<b>80</b>	<b>90</b>	<b>100</b>	<b>120</b>	
							
			interior division	interior division	interior division	interior division	
			for unit width 80cm	for unit width 90cm	for unit width 100cm	for unit width 120 c	
			↔79 cm ↓156 cm ↗49 cm	↔88 cm ↓156 cm ↗49 cm	↔98 cm ↓156 cm ↗49 cm	↔117 cm ↓156 cm ↗49 cm	
Article	PG	Price	<b>2049</b>	<b>2175</b>	<b>2050</b>	<b>2051</b>	

ACCESSORIES			Trousers pull-outs				clothes lift
			<b>80</b>	<b>90</b>	<b>100</b>	<b>120</b>	<b>80</b> <b>100</b> <b>120</b>
							
			trouser pull-out	trouser pull-out	trouser pull-out	trouser pull-out	clothes lift
			with 1 shelf for unit width 80cm	with 1 shelf for unit width 90cm	with 1 shelf for unit width 100cm	with 1 shelf for unit width 120 c	Max. load: 10 kg Only suitable for hinged door robes.
			↔79 cm ↓11 cm ↗50 cm	↔88 cm ↓11 cm ↗50 cm	↔98 cm ↓11 cm ↗50 cm	↔117 cm ↓11 cm ↗50 cm	↔98 cm ↓120 cm ↗14 cm
Article	PG	Price	<b>2082</b>	<b>2176</b>	<b>2083</b>	<b>2084</b>	<b>2120</b>





# ACCESSORIES 1.0


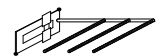
rauch BLACK


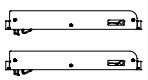

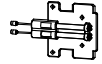
for hinged/sliding door wardrobes

General






Interior colour	Colour code	PG
Oldenburg beech colour	Z3010	1
Structure grey	Z3011	1

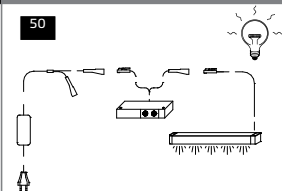
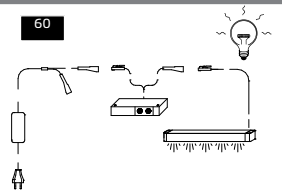
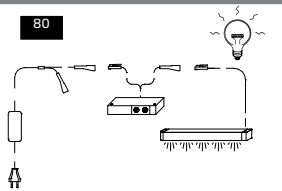
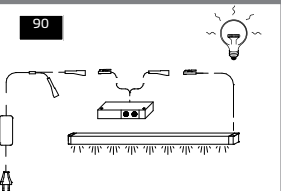
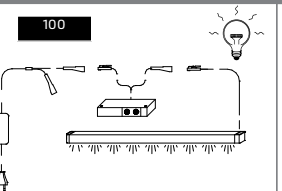
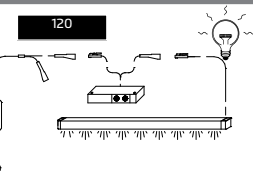
ACCESSORIES						
	<p>Suitable for all widths. for short (split) hinged doors</p> 	<p>Suitable for all widths. for long hinged doors</p> 	<p>Suitable for all widths. For hinged doors with inlay panel/horizontal handle</p> 			
	interior mirror	interior mirror	interior mirror	coat hanger rail		
	↔28 cm ↓128 cm ↗1 cm	↔30 cm ↓160 cm ↗1 cm	↔30 cm ↓150 cm ↗1 cm	↔27 cm ↓51 cm ↗7 cm		
Article	PG	Price	<b>2117</b>	<b>2118</b>	<b>2119</b>	<b>2001</b>

ACCESSORIES						
						
	tie rack	trouser holder				
	↔33 cm ↓33 cm	↔25 cm ↓10 cm ↗46 cm				
Article	PG	Price	<b>0003</b>	<b>0007</b>		

ACCESSORIES						
Door dampers rauch EASY SLIDE						
		<p>Installation not possible on wardrobes with front lighting.</p> 	<p>Installation not possible on wardrobes with front lighting.</p> 			
	set of 2 dampers for sliding wardrobes EASY SLIDE	damper for middle door EASY SLIDE	Collision dampers EASY SLIDE			
	of 2-4 door sliding door wardrobes	of 3 door Sliding door wardrobes	of 2 door Sliding door wardrobes			
	↔5 cm ↓2 cm ↗27 cm	↔4 cm ↓2 cm ↗28 cm	↔6 cm ↓11 cm ↗11 cm			
Article	PG	Price	<b>2182</b>	<b>2183</b>	<b>2180</b>	

Interior colour	Colour code	PG
Oldenburg beech colour	Z3010	1
Structure grey	Z3011	1

ACCESSORIES							
for angled elements and corner robes	Not for Casante modell!			Only to be mounted in conjunction with a laundry shelf!			
							
	shelf	1 shelf	1 shelf	hanging rail	utensil rack		
	angled	for corner robe 45°	for corner robe 90°	for corner robe 90°	for corner robe 45°		
	↔45 cm ↓2,2 cm ↗50 cm	↔98 cm ↓2,2 cm ↗50 cm	↔111 cm ↓2,2 cm ↗111 cm	↔3 cm ↓85 cm ↗85 cm	↔34 cm ↓85 cm ↗13 cm		
Article	PG	Price	<b>2052</b>	<b>2053</b>	<b>2054</b>	<b>2018</b>	<b>0008</b>

ACCESSORIES								
Interior lighting								
								
	interior lights	interior lights	interior lights	interior lights	interior lights	interior lights		
	for unit width 50cm	for unit width 60cm	for unit width 80cm	for unit width 90cm	for unit width 100cm	for unit width 120 cm		
	↔3 cm ↓2 cm ↗50 cm	↔3 cm ↓2 cm ↗60 cm	↔3 cm ↓2 cm ↗80 cm	↔3 cm ↓2 cm ↗80 cm	↔3 cm ↓2 cm ↗100 cm	↔3 cm ↓2 cm ↗120 cm		
Article	PG	Price	<b>2060</b>	<b>2062</b>	<b>2063</b>	<b>2178</b>	<b>2061</b>	<b>2064</b>

ACCESSORIES				
				<p>Int. light. Art. 2060-2064</p>  <p>6 m</p> <p>TRAFO 12V</p> <p>220V</p> <p>6-6 W</p> <p>LED / DEL 12V 220V</p> <p></p> <p>This light contains built-in LED lamps of energy classes A++ to A**. The lamps in the light cannot be replaced.</p> <p>*) On a scale from A++ (highest efficiency) to E (lowest efficiency)</p>
Article	PG	Price		


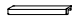
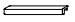
# ACCESSORIES 1.0




rauch BLACK

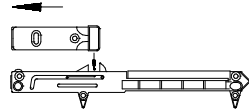
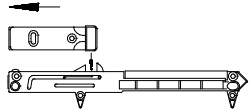
for beds

General

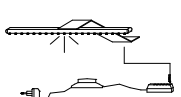
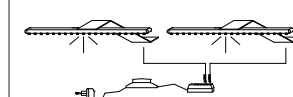
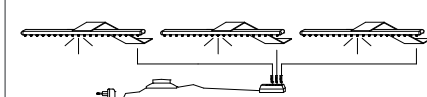

Interior colour	Colour code	PG
Oldenburg beech colour	Z3010	1
Structure grey	Z3011	1


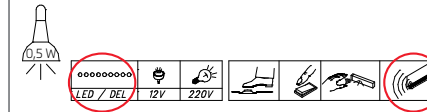
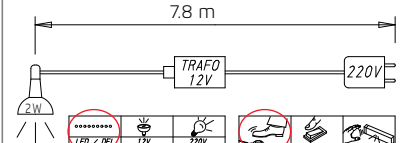
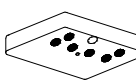
ACCESSORIES		Suitable for all beds, Width 70 cm			
<p>Clip-on padding is attached to the upper edge of the sides of the bed.</p> <p>Faux leather in a choice of basalt, cacao or cream.</p>					
	bed edge padding	bed edge padding	bed edge padding		
	basalt faux leather	cacao faux leather	cream faux leather		
	↔7 cm †8 cm ↗70 cm	↔7 cm †8 cm ↗70 cm	↔7 cm †8 cm ↗70 cm		
Article	PG	Price	<b>9030</b>	<b>9036</b>	<b>9038</b>

ACCESSORIES		Suitable for all beds, Width 130 cm			
<p>Clip-on padding is attached to the upper edge of the sides of the bed.</p> <p>Faux leather in a choice of basalt, cacao or cream.</p>					
	bed edge padding	bed edge padding	bed edge padding		
	basalt faux leather	cacao faux leather	cream faux leather		
	↔7 cm †8 cm ↗130 cm	↔7 cm †8 cm ↗130 cm	↔7 cm †8 cm ↗130 cm		
Article	PG	Price	<b>9035</b>	<b>9037</b>	<b>9039</b>

ACCESSORIES		Dampers for drawers		
for beds	for single beds	for double beds		
				
	bed drawer damper	bed drawer damper		
	↔2 cm †1 cm ↗15 cm	↔2 cm †1 cm ↗15 cm		
Article	PG	Price	<b>2201</b>	<b>2200</b>

Interior colour	Colour code	PG
Oldenburg beech colour	Z3010	1
Structure grey	Z3011	1

ACCESSORIES			Lighting mounted on the wardrobe		
<p>* Note: not suitable for sliding door wardrobes</p>	<p>*</p> 	<p>*</p> 	<p>*</p> 		
	set of 1 LED light	set of 2 LED lights	set of 3 LED lights		
	aluminium Carree*	aluminium Carree*	aluminium Carree*		
	↔16 cm ↓4 cm ↗33 cm	↔16 cm ↓4 cm ↗33 cm	↔16 cm ↓4 cm ↗33 cm		
Article	PG	Price	<b>2191</b>	<b>2192</b>	<b>2193</b>

ACCESSORIES		Interior lighting			
		<p>Int. light. Art. 0067</p> 		<p>Lighting set art. 2191-2193</p> 	
					
	interior lights				
	with motion sensor				
↔10 cm ↓2 cm ↗10 cm					
Article	PG	Price	<b>0067</b>		

This light contains built-in LED lamps of energy classes A++ to A\*\*. The lamps in the light cannot be replaced.

\*) On a scale from A++ (highest efficiency) to E (lowest efficiency)

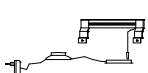
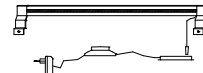

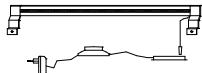




# ACCESSORIES 1.0

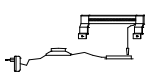
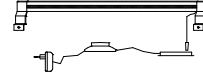
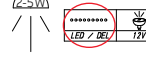



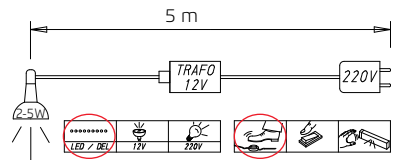
rauch BLACK

for hinged/sliding door wardrobes

General

Interior colour	Colour code	PG
Oldenburg beech colour	Z3010	1
Structure grey	Z3011	1

ACCESSORIES			Lighting mounted on the wardrobe			
						
						
			set of 1 LED light	set of 1 LED light	set of 1 LED light	set of 1 LED light
			chrome Linea 50	chrome Linea 100	aluminium Linea 50	aluminium Linea 100
			↔50 cm ↓7 cm ↗14 cm	↔100 cm ↓7 cm ↗14 cm	↔50 cm ↓7 cm ↗14 cm	↔100 cm ↓7 cm ↗14 cm
Article	PG	Price	<b>1266</b>	<b>1267</b>	<b>1264</b>	<b>1265</b>

ACCESSORIES			Lighting mounted on the wardrobe			
						
						
			set of 1 LED light	set of 1 LED light	This light contains built-in LED lamps of energy classes A++ to A**. The lamps in the light cannot be replaced.	
			black Linea 50	black Linea 100	*) On a scale from A++ (highest efficiency) to E (lowest efficiency)	
			↔50 cm ↓7 cm ↗14 cm	↔100 cm ↓7 cm ↗14 cm		
Article	PG	Price	<b>1262</b>	<b>1263</b>		