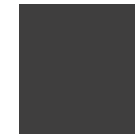


Front/ Carcase	Colour code
	Jackson Hickory colour applications
Graphite	A002D



graphite



Jackson Hickory
colour



Handle in chrome
colour, handle strips
in application colour

Beds, matching pieces, hinged and gliding door robes.
Beds with basalt faux leather headboard.
Passepartouts with or without lighting.
Drawers with base rail, cushioned self-closing mechanism.



■ MATCHING PIECES and EXTRAS can be found
after the wardrobes.








Front/ Carcase	Colour code
	Jackson Hickory colour applications
Graphite	A002D





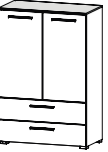
BEDS		Comfort beds with applications and adjustable fittings for mattress height. Basalt faux leather headboard.			
Surcharge for extended bed lengths ↗ 210 cm ↗ 220 cm 33,44					
	comfort bed	comfort bed			
	180/ 190 ↔ 187 cm ↓ 105 cm ↗ 212 cm BG 85	200/ 190 ↔ 207 cm ↓ 105 cm ↗ 212 cm BG 15			
	180/ 200 ↔ 187 cm ↓ 105 cm ↗ 222 cm BG 80	200/ 200 ↔ 207 cm ↓ 105 cm ↗ 222 cm BG 10			
Article	80D6	80D6			

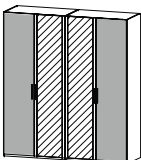
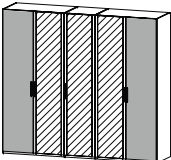
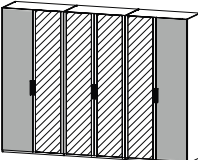
EXTRAS		for beds			
		Please order using colour code A0066.			
	plinth drawer, set of 2	Swivel light	This luminaire contains built-in LED lamps of the energy classes A++ - A*. The lamps cannot be replaced in the luminaire.		
	180/ 200 ↔ 169 cm ↓ 22 cm BG 80	Power LED for headboard	*) on a scale from A++ (highest efficiency) to E (lowest efficiency)		
	200/ 200 ↔ 189 cm ↓ 22 cm BG 10	2x ↔ 3 cm ↓ 56 cm			
Article	90YS	99LP			

MATCHING PIECES		Suspended bedside table with top and rear panel in application colour. Drawers with base rail, cushioned self-closing mechanism.			
	pair of bedside tables with panel				
	1 drawer, with shelf				
	2x ↔ 66 cm ↓ 68 cm ↗ 45 cm				
Article	9267				

Front/ Carcase	Colour code
	Jackson Hickory colour applications
Graphite	A002D

MATCHING PIECES		Top in application colour. Drawers with base rail, cushioned self-closing mechanism.												
														
					bedside table	chest	chest	chest						
					2 drawers	4 drawers	4 drawers	2-door, 2 shelves						
					↔ 50 cm ↓ 49 cm ↗ 42 cm	↔ 40 cm ↓ 81 cm ↗ 42 cm	↔ 80 cm ↓ 81 cm ↗ 42 cm	↔ 80 cm ↓ 81 cm ↗ 42 cm						
Article		6D34		6D43		6D44		6D46						

MATCHING PIECES		Top in application colour. Drawers with base rail, cushioned self-closing mechanism.												
														
					chest	chest	chest	chest						
					1-door, hinged left, 4 drawers, 2 shelves	1-door, hinged right, 4 drawers, 2 shelves	6 drawers	2-door, 2 drawers, 2 shelves						
					↔ 120 cm ↓ 81 cm ↗ 42 cm	↔ 120 cm ↓ 81 cm ↗ 42 cm	↔ 40 cm ↓ 119 cm ↗ 42 cm	↔ 80 cm ↓ 119 cm ↗ 42 cm						
Article		6D47		6D48		7D11		7D15						

		Hinged door robes. Middle doors with mirrors on carcase colour. Outer doors in application colour.										
												
				100/100	100/50/100	100/100/100						
				hinged door wardrobe	hinged door wardrobe	hinged door wardrobe						
				4-door, 2 mirror doors	5-door, 3 mirror doors	6-door, 4 mirror doors						
	↔ 201 cm ↓ 223 cm ↗ 60 cm	↔ 251 cm ↓ 223 cm ↗ 60 cm	↔ 301 cm ↓ 223 cm ↗ 60 cm									
Article		5821		5825		5827						

Front/ Carcase	Colour code
	Jackson Hickory colour applications
Graphite	A002D

WARDROBES		Combination hinged door robes. Middle doors with mirrors on carcase colour. Drawers in carcase colour with base rail, cushioned self-closing mechanism. Outer doors in application colour.					
			50/100/50		100/50/100		100/100/100
		hinged door wardrobe		hinged door wardrobe		hinged door wardrobe	
		4-door, 2 mirror doors, 3 drawers		5-door, 1 mirror door, 3 drawers		6-door, 2 mirror doors, 3 drawers	
		↔ 201 cm ↓ 223 cm ↗ 60 cm		↔ 251 cm ↓ 223 cm ↗ 60 cm		↔ 301 cm ↓ 223 cm ↗ 60 cm	
Article		5931		5932		5933	

		Passepartouts in carcase colour, without lighting, for hinged door robes.					
		passepartout		passepartout		passepartout	
		↔ 204 cm ↓ 225 cm ↗ 12 cm		↔ 254 cm ↓ 225 cm ↗ 12 cm		↔ 304 cm ↓ 225 cm ↗ 12 cm	
Article		9PP1		9PP2		9PP3	

		Passepartouts in carcase colour, with lighting, for hinged door robes.			Lighting		
		passepartout with lighting		passepartout with lighting		passepartout with lighting	
		↔ 204 cm ↓ 225 cm ↗ 12 cm		↔ 254 cm ↓ 225 cm ↗ 12 cm		↔ 304 cm ↓ 225 cm ↗ 12 cm	
Article		9PP4		9PP5		9PP6	

This luminaire contains built-in LED lamps of the energy classes A++ - A*. The lamps cannot be replaced in the luminaire.

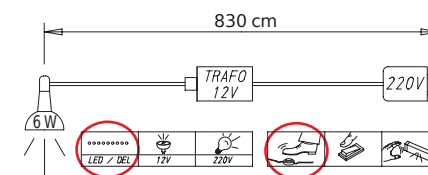
*) on a scale from A++ (highest efficiency) to E (lowest efficiency)

Front/ Carcase	Colour code
	Jackson Hickory colour applications
Graphite	A002D

WARDROBES		Gliding door robes with mirror. Upper and lower door sections and handle strips in application colour.				Door dampers for gliding door robes	
		gliding door wardrobe	gliding door wardrobe			set of 2 door dampers	
		2-door, 2 mirror doors	2-door, 2 mirror doors			Please order using colour code A0066.	
		↔ 226 cm ↓ 223 cm ↗ 68 cm	↔ 271 cm ↓ 223 cm ↗ 68 cm				
Article		5SB2	5SB4			9T71	

		Passepartouts in carcase colour, without lighting, for gliding door robes.					
		passepartout	passepartout				
		↔ 234 cm ↓ 226 cm ↗ 16 cm	↔ 279 cm ↓ 226 cm ↗ 16 cm				
Article		9PS1	9PS3				

		Passepartouts in carcase colour, with lighting, for gliding door robes.				Lighting	
		passepartout	passepartout				
		with lighting	with lighting				
		↔ 233 cm ↓ 226 cm ↗ 16 cm	↔ 279 cm ↓ 226 cm ↗ 16 cm				
Article		9PV6	9PV7				



This luminaire contains built-in LED lamps of the energy classes A++ - A*. The lamps cannot be replaced in the luminaire.

*) on a scale from A++ (highest eff ciency) to E (lowest eff ciency)w



EXTRAS

DIALOG



for unit width 45, 67, 90 cm
Gliding door robes

Colour	Colour code
Textline (natural-colour linen look)	A0066



Colour	Colour code
Textline (natural-colour linen look)	A0066



Textline

EXTRAS

DIALOG

for unit width 45, 67, 90 cm



Gliding door robes


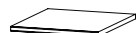









These wardrobe widths are comprised of the following units:



<p>↔ 137 cm</p>		
<p>↔ 181 cm</p>		
<p>↔ 226 cm</p>	<p>PLEASE NOTE: a drawer unit, pull-out shelf or trouser holder is not possible in the middle unit.</p>	
<p>↔ 271 cm</p>	<p>Interior configuration on model: - Luisa - Gina - Glitter</p> <p>PLEASE NOTE: a drawer unit, pull-out shelf or trouser holder is not possible in the middle unit.</p>	<p>Interior configuration on model: - Nicole - Tura - X-Tend</p>
<p>↔ 316 cm</p>	<p>PLEASE NOTE: a drawer unit, pull-out shelf or trouser holder is not possible in the middle unit on the left.</p>	



for unit width 45, 67, 90 cm
Gliding door robes

UNIT WIDTH ▶		45	45	45	45
		Colour Textline (natural-colour linen look)		Colour code A0066	
					
		Shelf	Clothes rail	Pull-out shelf for unit size 45	Perspex divider for 45 cm pull-out shelf
		↔ 43 cm ↓ 2,2 cm ↗ 50 cm	↔ 43 cm ↓ 3 cm ↗ 1,5 cm	↔ 43 cm ↓ 9 cm ↗ 49 cm	↔ 31 cm ↓ 5 cm ↗ 44 cm
	1	9644	9715	96R1	96T1
	Set of 2	97F5			
	Set of 3	9634			
	Set of 4	99J5			

UNIT WIDTH ▶		45	45	45	
					
		Glass shelf for 45 cm pull-out shelf, with velcro fastening	Drawer unit for unit size 45	Drawer unit for unit size 45	
		↔ 43 cm ↓ 1 cm ↗ 49 cm	↔ 43 cm ↓ 45 cm ↗ 50 cm	↔ 43 cm ↓ 64 cm ↗ 50 cm	
	Article	9G5A	9S81	9S85	

UNIT WIDTH ▶		67	67		
					
		Shelf	Clothes rail		
		↔ 66 cm ↓ 2,2 cm ↗ 50 cm	↔ 65 cm ↓ 3 cm ↗ 1,5 cm		
1		9425	9776		
	Set of 2	97F7			
	Set of 3	9426			
	Set of 4	99J7			

EXTRAS



Purchase Price List
Prices = Invoice Prices in Euro

valid from 01.04.2019

19.02.2019 MUA
valid until 31.03.2020



DIALOG



for unit width 45, 67, 90 cm

Gliding door robes

UNIT WIDTH ▶		90	90	90	90
		Colour Texline (natural-colour linen look)		Colour code A0066	
		Shelf	Clothes rail	Pull-out shelf for unit size 90	Perspex divider for 90 cm pull-out shelf
		↔ 88 cm ↓ 2,2 cm ↗ 50 cm	↔ 87 cm ↓ 3 cm ↗ 1,5 cm	↔ 88 cm ↓ 9 cm ↗ 49 cm	↔ 76 cm ↓ 5 cm ↗ 44 cm
1		9642	9719	98R1	96T3
Set of 2		97F8			
Set of 3		9632			
Set of 4		99J8			

UNIT WIDTH ▶		90	90	90	
					<p>* PLEASE NOTE: A drawer unit, pull-out shelf or trouser holder is not possible in the middle unit of gliding door robes W 226 cm, 271 cm (90/ 90/ 90) or 316 cm.</p>
		Glass shelf for 90 cm pull-out shelf, with velcro fastening	Trouser pull-out with shelf	1/ 2 - 1/ 2 division 3 shelves, 1 centre panel, 1 clothes rail	
		↔ 88 cm ↓ 1 cm ↗ 49 cm	↔ 88 cm ↓ 10 cm ↗ 51 cm	↔ 88 cm ↓ 142 cm ↗ 51 cm	
Article		9G5C	9Z8C	9SJ5	

UNIT WIDTH ▶		90	90	90	90
		Drawer unit for unit size 90	Drawer unit for unit size 90	Wardrobe division for unit size 90, can be mounted on the left or right	Wardrobe division for unit size 90, can be mounted on the left or right
		↔ 88 cm ↓ 45 cm ↗ 50 cm	↔ 88 cm ↓ 64 cm ↗ 50 cm	↔ 88 cm ↓ 64 cm ↗ 51 cm	↔ 88 cm ↓ 103 cm ↗ 51 cm
Article		9S83	9S87	9SC5	9SD5

EXTRAS

DIALOG

for unit width 50, 100 cm
Wardrobes with hinged/ gliding doors



Colour	Colour code
Texline (natural-colour linen look)	A0066

Colour	Colour code
Texline (natural-colour linen look)	A0066



Texline

EXTRAS

DIALOG

for unit width 50, 100 cm
Wardrobes with hinged/ gliding doors



Purchase Price List
Prices = Invoice Prices in Euro

valid from 01.04.2019

19.02.2019 MUA
valid until 31.03.2020








These wardrobe widths are comprised of the following units:





	without drawers		incl. drawers in the middle		incl. drawers on the side	
	Gliding door robes	Hinged door robes	Hinged door robes		Hinged door robes	
↔ 201 cm		 100/100	 50/100/50	 100/100		
↔ 251 cm	 100/100/50 *	 100/50/100	 100/50/100	 100/50/100		
↔ 301 cm	 100/100/100 *	 100/100/100	 100/100/100	 100/100/100		


* PLEASE NOTE: A drawer unit, pull-out shelf or trouser holder is not possible in the middle unit.



Colour	Colour code
Texine (natural-colour linen look)	A0066

UNIT WIDTH ▶	50	50	50	50
				
	Shelves	Clothes rail	Pull-out shelf for unit size 50	Perspex drawer divider for pull-out shelf, size 50
	↔ 48 cm ↓ 2,2 cm ↗ 50 cm	↔ 48 cm ↓ 3 cm ↗ 1,5 cm	↔ 48 cm ↓ 9 cm ↗ 49 cm	↔ 36 cm ↓ 5 cm ↗ 44 cm
1 piece	9643	9739	97R1	96T2
Set of 2	97F6			
Set of 3	9633			
Set of 4	99J6			

UNIT WIDTH ▶	50	50	50	
				
	Glass shelf for pull-out shelf, size 50, with rip tape fastening	Drawer unit for unit size 50	Drawer unit for unit size 50	
	↔ 48 cm ↓ 1 cm ↗ 49 cm	↔ 48 cm ↓ 45 cm ↗ 50 cm	↔ 48 cm ↓ 64 cm ↗ 50 cm	
Article	9G5B	9S82	9S86	

UNIT WIDTH ▶	for hinged door robes			
	Interior mirror			
	↔ 31 cm ↓ 133 cm ↗ 1 cm			
	Article	9858		

EXTRAS

DIALOG

for unit width 50, 100 cm
Wardrobes with hinged/ gliding doors



Purchase Price List
Prices = Invoice Prices in Euro

valid from 01.04.2019

19.02.2019 MUA
valid until 31.03.2020



Colour	Colour code
Texline (natural-colour linen look)	A0066

* PLEASE NOTE: A drawer unit, pull-out shelf or trouser holder is not possible in the middle unit of gliding door robes W 251 cm, 301 cm.

UNIT WIDTH ▶	100	100	100	100
	Shelves	Clothes rail	Pull-out shelf for unit size 100	Perspex drawer divider for pull-out shelf, size 100
	↔ 98 cm ↓ 2,2 cm ↗ 50 cm	↔ 98 cm ↓ 3 cm ↗ 1,5 cm	↔ 98 cm ↓ 8 cm ↗ 49 cm	↔ 88 cm ↓ 5 cm ↗ 44 cm
1 piece	9641	9738	99R1	96T4
Set of 2	97F9			
Set of 3	9631			
Set of 4	99J9			

UNIT WIDTH ▶	100	100	100	100
			for hinged door robes only	
	Glass shelf for pull-out shelf, size 100, with rip tape fastening	Trousers pull-out with shelf	Clothes lift	1/2 - 1/2 division 3 shelves, 1 centre panel, 1 clothes rail
	↔ 98 cm ↓ 1 cm ↗ 49 cm	↔ 98 cm ↓ 10 cm ↗ 51 cm	↔ 88-98 cm ↓ 84 cm ↗ 14 cm	↔ 98 cm ↓ 149 cm ↗ 51 cm
Article	9G5D	9Z8D	9314	9SJ6

UNIT WIDTH ▶	100	100	100	100
	Drawer unit for unit size 100	Drawer unit for unit size 100	Wardrobe division for unit size 100, can be mounted on the left or right	Wardrobe division for unit size 100, can be mounted on the left or right
	↔ 98 cm ↓ 45 cm ↗ 50 cm	↔ 98 cm ↓ 64 cm ↗ 50 cm	↔ 98 cm ↓ 64 cm ↗ 51 cm	↔ 98 cm ↓ 103 cm ↗ 51 cm
Article	9S84	9S88	9SC6	9SD6

Colour	Colour code
Texline (natural-colour linen look)	A0066

Colour	Colour code
Texline (natural-colour linen look)	A0066



Texline

EXTRAS

DIALOG
General




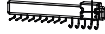


Purchase Price List
Prices = Invoice Prices in Euro





valid from 01.04.2019




19.02.2019 MUA
valid until 31.03.2020



Colour	Colour code
Texline (natural-colour linen look)	A0066

				
	Tie rack, swivelling	Tie rack	Tie / belt rack	Extending rail holder
	Mounted on the inside on hinged doors	Mounted on the inside of the wardrobe		Mounted beneath the shelves, extends 49 cm
	↔ 31 cm ↓ 27 cm ↗ 6 cm	↔ 10 cm ↓ 13 cm ↗ 46 cm	↔ 9 cm ↓ 7 cm ↗ 45 cm	↔ 4 cm ↓ 6 cm ↗ 31 cm
Article	9768	990K	9GK1	9760

				
	Hooks	Trousers holder	Coat hanger rail	Coat hanger rail, swivelling
	Mounted on the inside of the wardrobe/ hinged doors	Mounted on the inside of the wardrobe	Mounted on the outside of the wardrobe	Mounted on the inside on hinged doors
	↔ 34 cm ↓ 5 cm ↗ 3 cm	↔ 22 cm ↓ 7 cm ↗ 46 cm	↔ 27 cm ↓ 52 cm ↗ 2 cm	↔ 20 cm ↓ 35 cm ↗ 3 cm
Article	9HL1	990H	9767	9769

			
	Can only be mounted on the outer or middle panels. Maximum load per basket 11 kg.	Can only be mounted on the outer or middle panels. Maximum load per shoe rack 4 kg.	Max load 7 kg.
	Side pull-out + 3 metal baskets	Side pull-out + 3 shoe racks	Laundry basket, including pull-out
	Pull-out depth 42 cm	Pull-out depth 42 cm	pull-out
	↔ 33 cm ↓ 62 cm ↗ 47 cm	↔ 36 cm ↓ 62 cm ↗ 47 cm	↔ 30 cm ↓ 55 cm ↗ 50 cm
Article	9AZ5	9AZ6	9WK1

Colour	Colour code
Texine (natural-colour linen look)	A0066

		Installation not possible on wardrobes with front lighting.		Installation not possible on wardrobes with front lighting.		Installation not possible on wardrobes with front lighting.
	Set of 2 dampers for gliding doors Cushions the door stop on the outer panels of the wardrobe.	Single centre door damper for 3-door gliding door robes	Single opening damper for 2-door gliding door robes	Set of 2 opening dampers for 3-door gliding door robes		
Article	9T71	9T72	9T73	9T74		

	Set of 2 dampers for hinged doors for 2 hinged doors	Set of 3 dampers for hinged doors for 3 hinged doors		
Article	9DD2	9DD3		

	"BALENO"	
	LED luminaire White ↔ 90 cm ↑ 6 cm ↗ 19 cm	LED luminaire Black ↔ 90 cm ↑ 6 cm ↗ 19 cm
Article	9W1L	9S1L

This luminaire contains built-in LED lamps of the energy classes A++ - A*. The lamps in the luminaire cannot be replaced.

*) On a scale from A++ (highest efficiency) to E (lowest efficiency)



Colour	Colour code
Texline (natural-colour linen look)	A0066

LIGHTING	"LUCIDO"	"NEELA"	"LUNA"	"LOFT"
	LED luminaires	LED luminaires	LED luminaires	LED luminaires
	Chrome colour	Aluminium colour	Chrome colour	Aluminium colour
	↔ 9 cm ↓ 5 cm ↗ 14 cm	↔ 40 cm ↓ 6 cm ↗ 18 cm	↔ 33 cm ↓ 9 cm ↗ 21 cm	↔ 33 cm ↓ 5 cm ↗ 18 cm
Set of 2	9L42	9L62	94L2	9C74
Set of 3	9L43		94L3	9C76

LIGHTING	"LUCIDO"	"NEELA"	"LUNA"	"LOFT"
	<p>This luminaire contains built-in LED lamps of the energy classes A++ - A*. The lamps in the luminaire cannot be replaced.</p> <p>*) On a scale from A++ (highest efficiency) to E (lowest efficiency)</p>	<p>This luminaire contains built-in LED lamps of the energy classes A++ - A*. The lamps in the luminaire cannot be replaced.</p> <p>*) On a scale from A++ (highest efficiency) to E (lowest efficiency)</p>	<p>This luminaire contains built-in LED lamps of the energy classes A++ - A*. The lamps in the luminaire cannot be replaced.</p> <p>*) On a scale from A++ (highest efficiency) to E (lowest efficiency)</p>	<p>This luminaire contains built-in LED lamps of the energy classes A++ - A*. The lamps in the luminaire cannot be replaced.</p> <p>*) On a scale from A++ (highest efficiency) to E (lowest efficiency)</p>

	<p>LED interior lighting with battery, motion sensor, USB charge cable ↔ 23 cm ↓ 2 cm ↗ 11 cm</p>	<p>Radio hand dimmer with receiver for controlling LED luminaires Cable length: 1 m</p>	<p>This luminaire contains built-in LED lamps of the energy classes A++ - A*. The lamps in the luminaire cannot be replaced.</p> <p>*) On a scale from A++ (highest efficiency) to E (lowest efficiency)</p>
Article	9T1B	99FB	